

SONY

Hi-Fi Products
Service Bulletin

Sony Service Company Technical Services
A Division of Sony Corporation of America
Sony Drive, Park Ridge, New Jersey 07656

Model: CDP-C401/500

No. 92

Subject: No Tray Operation

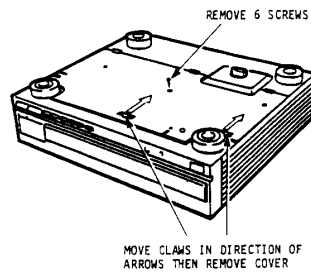
Date: November 24, 1989

Symptom:
(61)

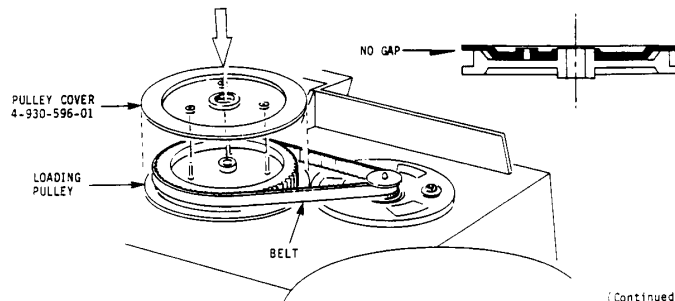
Tray does not open. The loading belt has slipped off.

Solution: Order the following parts and install as shown below:

Description	Part Number
Support Bracket Kit	T-9985-273-1
Pulley Cover	4-930-596-01



1. Remove bottom panel.
2. Re-install belt.
3. Install Pulley Cover on the Loading Pulley.

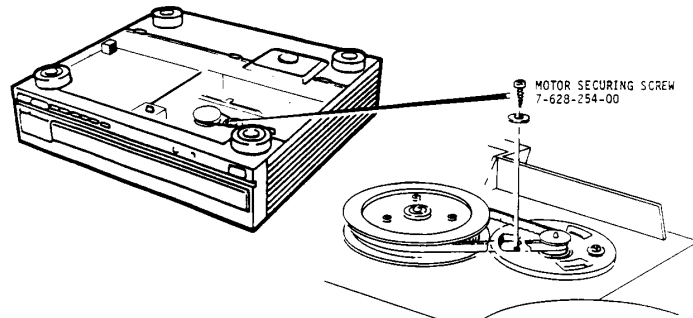


Reference: Tokyo

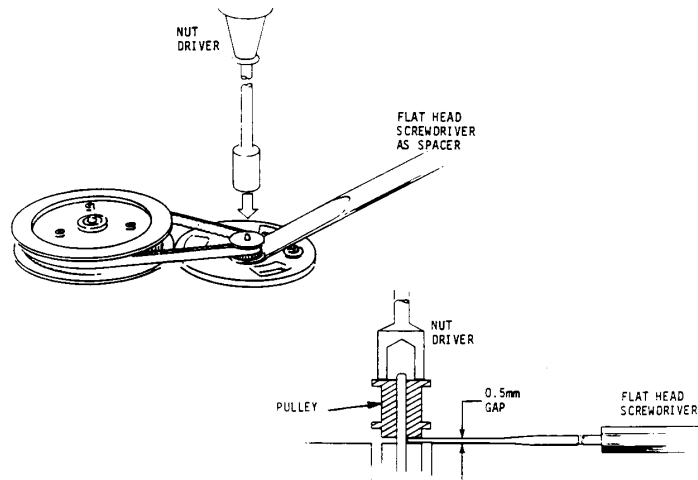
PRINTED IN U.S.A.
CSA-131089-2

CSA-13 Compact Disc

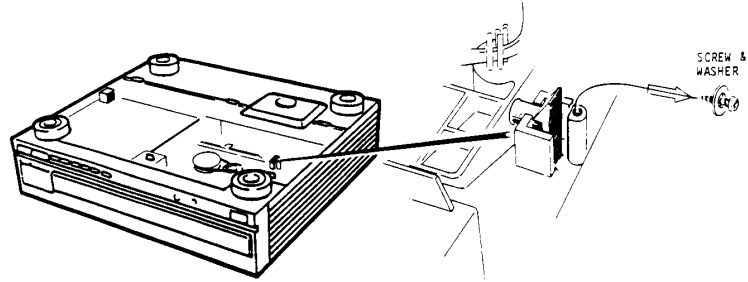
4. Add screw to better secure motor movement as shown.
Part Number of screw is: 7-628-254-00.



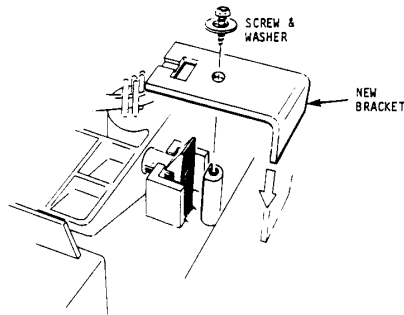
5. Push pulley down into the shaft of the motor using a nut driver. Use a small flat head screwdriver as a spacer between the pulley and the motor.



6. Remove the screw and washer, which support the Optical Assembly Bracket.



7. Install the new bracket with the screw and washer that were removed in the previous step.



8. Re-install the bottom cover.

